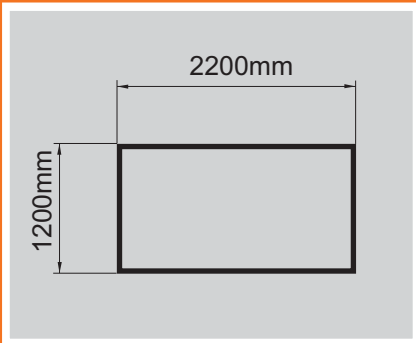


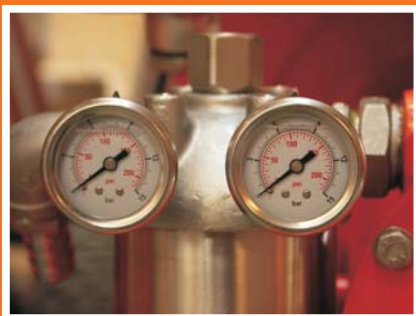
Stainless steel pump-head*.



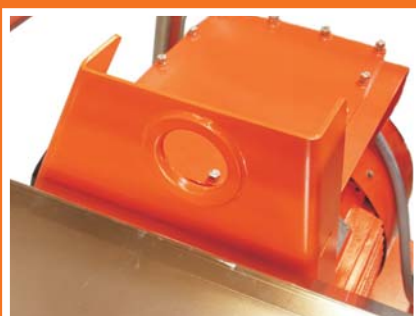
Compact with Small footprint.



Built In Heavy Duty Electrical Box



Filter Change Indicators.



Centralized Lifting Eye.



Model:	CE200-200				
Technical details:					
50 Hz Version					
W.P. Bar / Psi	200/2900				
Flow Lpm / Gpm	280 / 74				
Motor Hp / Kw	200 / 150				
Voltage / Amp.	400 / 160				
60 Hz Version					
W.P. Bar / Psi	200/2900				
Flow Lpm / Gpm	350 / 92				
Motor Hp / Kw	200 / 150				
Voltage / Amp.	440 / 180				
Dimensions					
L x W x H mm		2100 x 1200 x 1400			
Weight Kg		2200			

All models are CE marked

Standard accessories incl. with each machine:

- 20m high pressure hose.
- Trigger operated dump gun
- Barrel Lance with side handle.
- Nozzle Carrier with Nozzle(s).

Optional accessories for each model:

- x m Thermoplastic hoses
- Hose connectors.
- Air operated Un-loader "Tumble Box"
- Air operated trigger guns.
- Air or Dump operated Deck Cleaner
- Spare part kits.

DEN-JET



Rotating Nozzle



Water Blasting With Rotating Nozzles.



Strainers & Filtration.



DEN-JET Factory
Denmark



DEN-JET Factory
Singapore

HIGH PRESSURE WATER BLASTERS & ACCESSORIES

UHP accessories (< 40.000PSI)

- Pneumatic gun with built in air-motor
- Tumble box.
- Floor/Deck cleaner.
- Hoses & Fittings.
- Nozzles & Nozzle carriers.
- Filters & Filtration systems.



WB accessories (< 20.000PSI)

- Dump & Dry Shot guns.
- Foot valves.
- Unloader & Safety valves.
- Hoses & Fittings.
- Nozzles & Nozzle carriers.
- Wet Sand-Blasting Equipment.
- Strainer & Filters.



Spareparts for other brands

- Guns & accessories.
- Fittings & connections.
- Internal pump parts.
- Packings & repair kits.
- Nozzles & Nozzle carriers.



CD 100 Series

- Complete product range of Electric driven high pressure waterblasters ranging from 200 to 2500 Bar in a compact design for multi-purpose applications.
- Various accessories.



Company Profile :

Den-Jet's long experience in the high pressure industry has enabled us to create a range of water blasters and accessories, suitable for numerous applications in the industrial and marine industries. DEN-JET supplies complete packages to end-users and middlemen, as well as bare shaft pumps and parts to OEM's. Our main goal is to produce quality products at a competitive price level.

Contact:

DIROJET®

DIROJET GmbH | Kupferstraße 11 | 33378 Rheda-Wiedenbrück | Germany
T +49 5242 9316910 | F +49 5242 9316911 | info@dirojet.de | www.dirojet.de