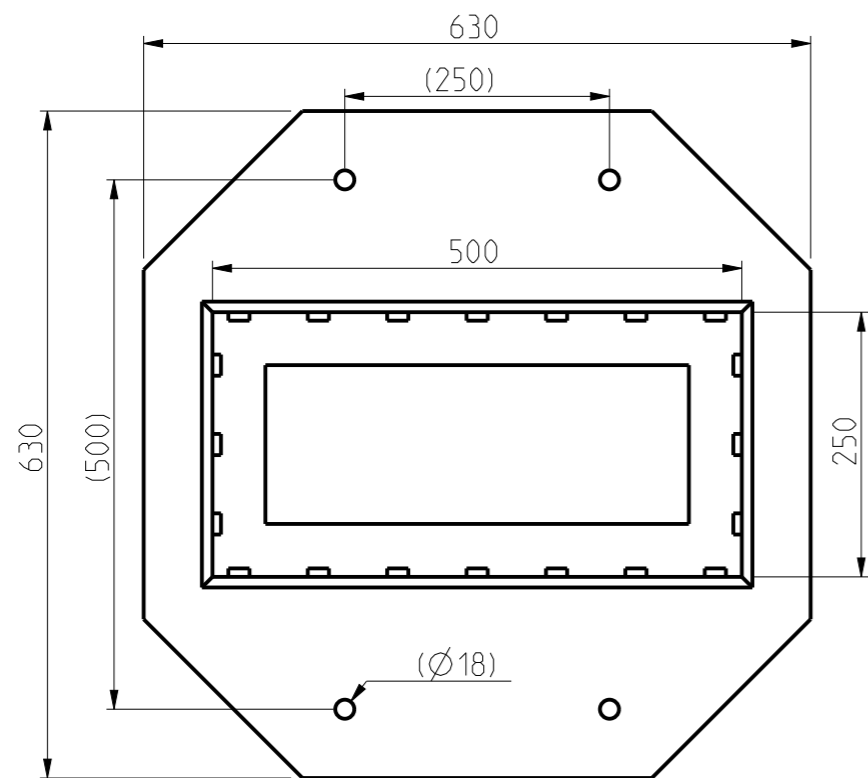
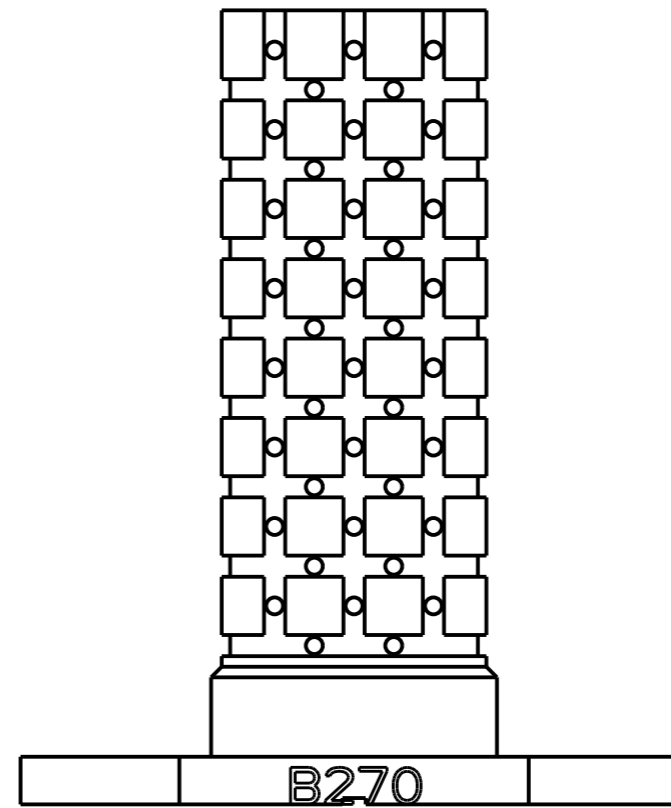
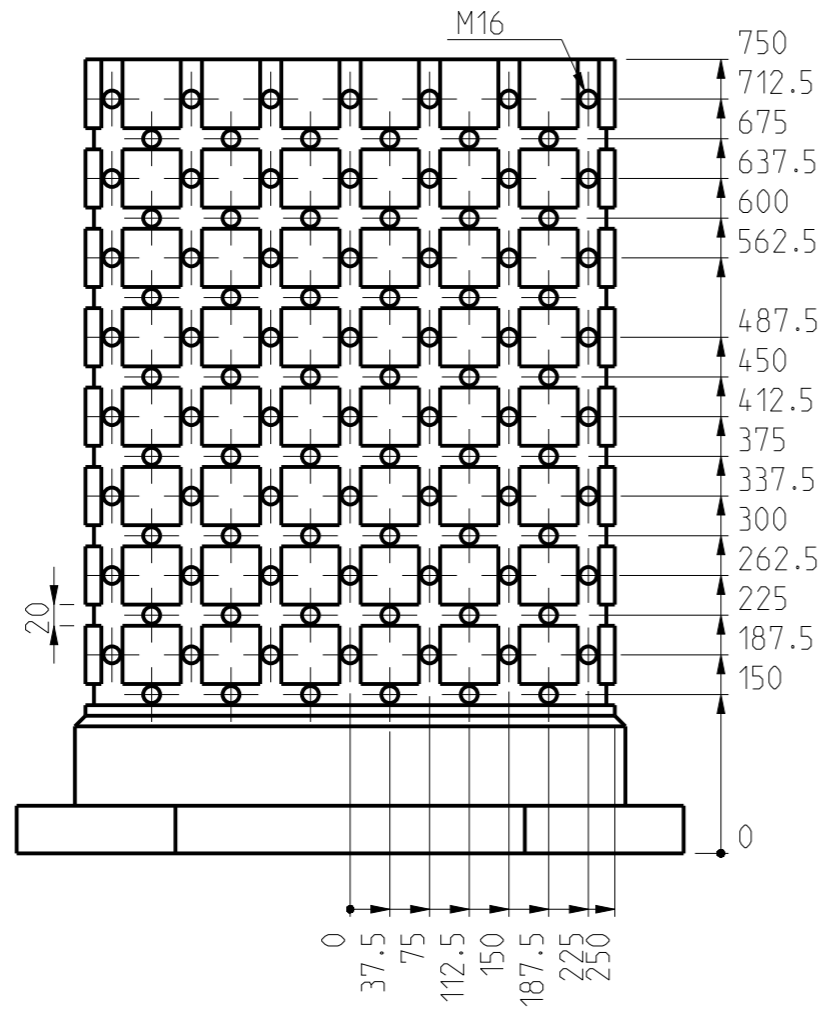


REV	CHANGE	DATE	DESIGNER
-	-	-	-
-	-	-	-



ITEM	CODE	NAME	QTY	UNIT
The encircled dimensions or notes are inspection items.				
MATERIAL		MATERIAL DETAIL		Geometry according to 3D model
-		-		
SURFACE FINISHING		COLOR		
-		-		
SHEET	A3	NAME	DOC CODE	DOC REV
1/1		-	-	-
SCALE	7:50	NIMI		
7:50		-		
DATE	DESIGNER			ITEM CODE
-	-			-
RoHS	TOLERANCE			ITEM REV
	-			-